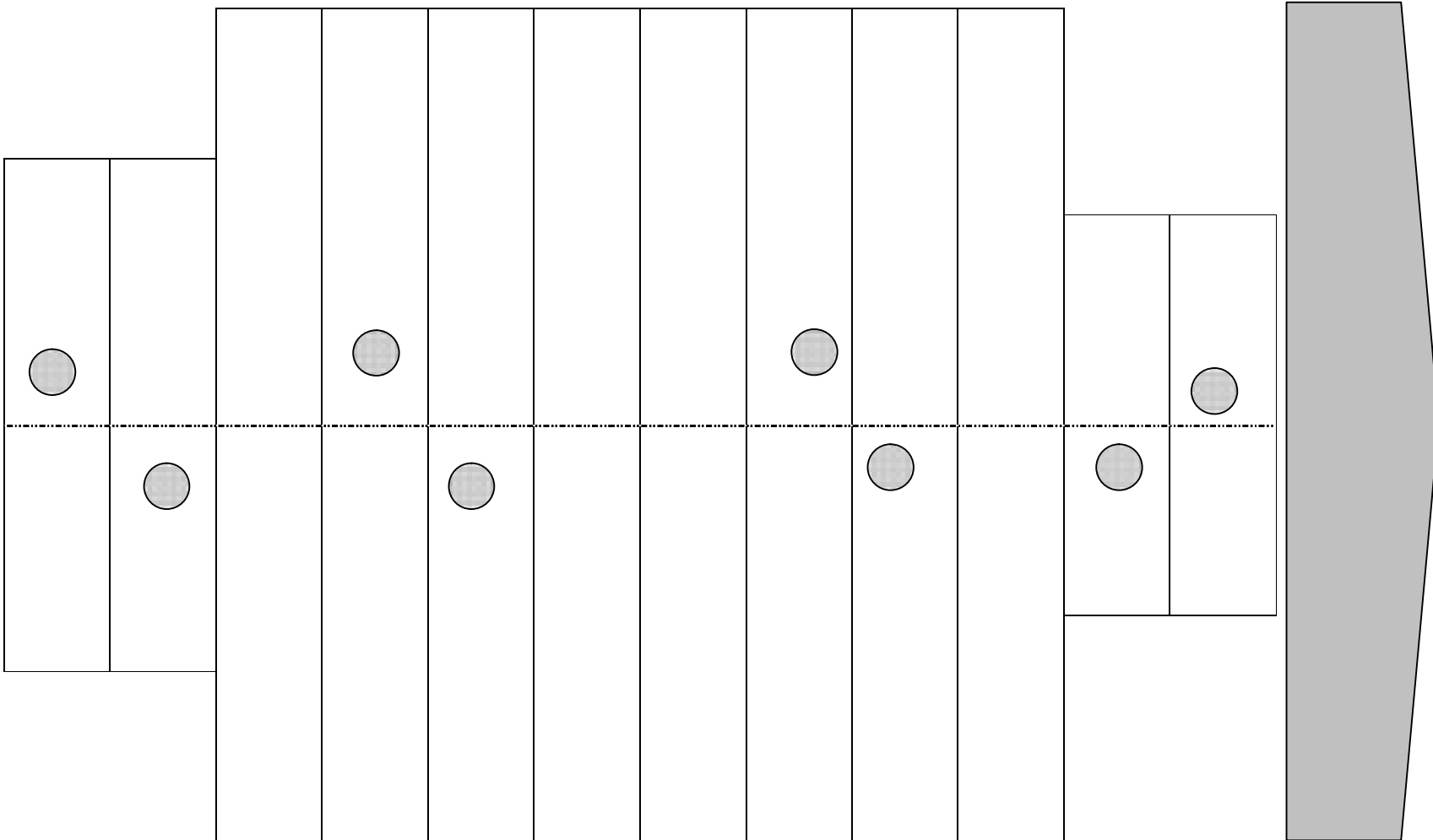
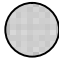


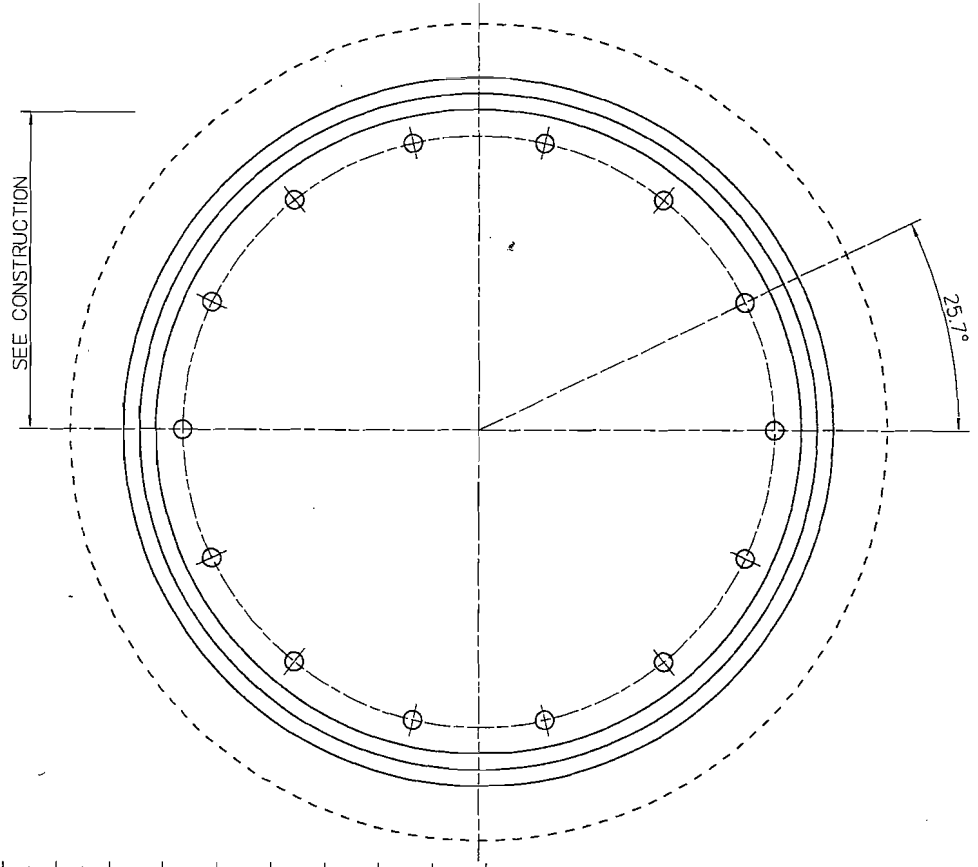
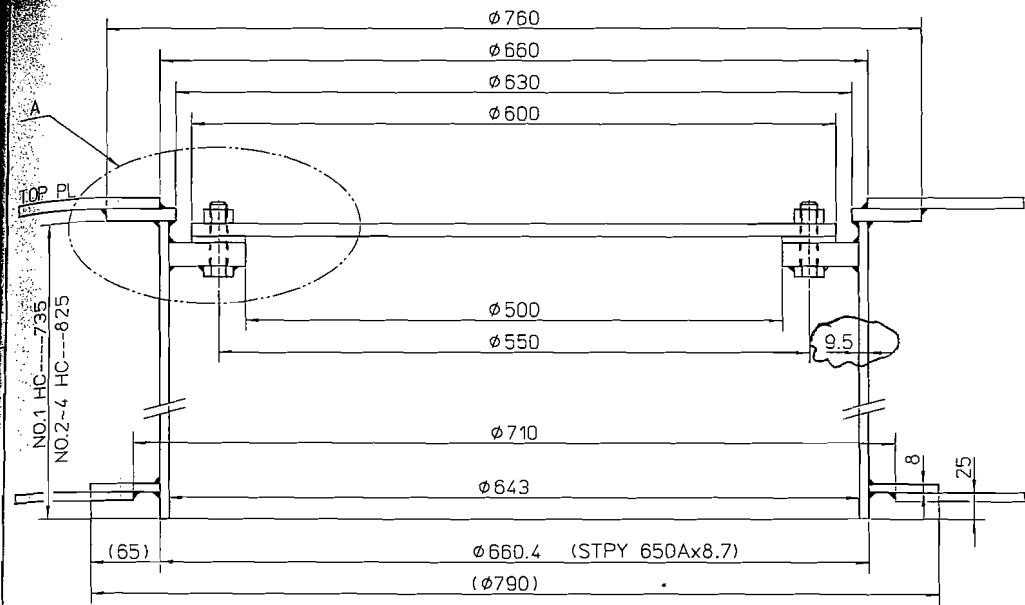
# Cement Connections

## ASL CLASS: W

12	11	10	9	8	7	6	5	4	3	2	1
----	----	----	---	---	---	---	---	---	---	---	---

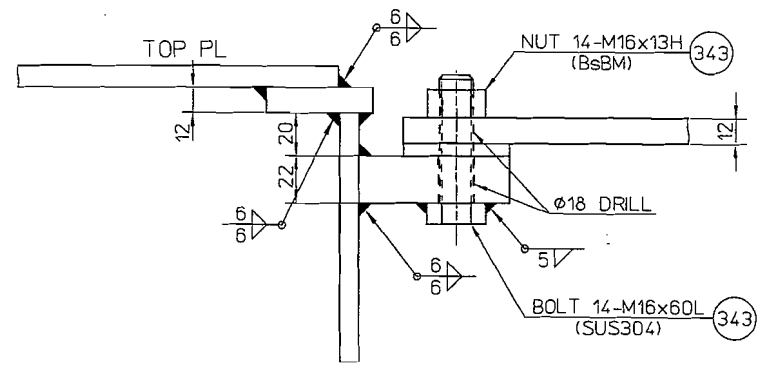


	<b>Cement Fittings (Loading)</b>	
Inner Dia	500mm	
PCD	550mm	
No of bolts	14	
Dia of Studs	M16 x 13	



INDEX	ITEM No.	ED.	ALTERATION	DATE	SIGNATURE
		2	HANDLE IS DELETED BY OWNER'S REQUEST.	03-05-08	T. HY. TK

"A" DETAIL



NO.1 HC---174.9kg  
NO.2~4 HC---187.4kg

ITEM No.	No. OFF	DRG No.	ITEM MASS	DENOMINATION	MATERIAL	REMARKS
				CEMENT HOLE COVER	MASS	✓
					SCALE	<del>1/5</del>
					MANAGER	T.KOYAMA
					CHIEF	H.YAMANAKA
					CHECKED BY	T.NAKAYAMA
				DRAWN DATE	Y.JITOUSONO 03-02-03	
<p><b>MacGREGOR</b></p>				TOLERANCE SYSTEM	MCG10730	DRAWING No.
				CONTRACT No.		93-5294-C-914
					SHEET	ED.
					2-25	2